



## VPSDL Dry Scroll Vacuum Pump



VPSDL-150



VPSDL-300



VPSDL-600

### Specifications

Model			VPSDL-75	VPSDL-150	VPSDL-300	VPSDL-600	VPSDL-1000	
Pumping Speed	50Hz	L/s	1.0	2.0	4.3	8.7	16.6	
		L/min	60.0	120.0	258.0	522.0	996.0	
		m <sup>3</sup> /h	3.6	7.2	15.5	31.3	59.8	
		cfm	2.2	4.3	9.3	18.7	35.8	
	60Hz	L/s	1.2	2.4	5.1	10.4	20	
		L/min	72	144	310	626	1195	
		m <sup>3</sup> /h	4.3	8.6	18.3	37.4	71.6	
		cfm	2.5	5.1	10.9	22.3	42.8	
Ultimate Pressure		mbar	≤8.0×10 <sup>-2</sup>	≤6.0×10 <sup>-2</sup>	≤2.6×10 <sup>-2</sup>	≤1.0×10 <sup>-2</sup>	≤1.0×10 <sup>-2</sup>	
		Torr	≤6.0×10 <sup>-2</sup>	≤4.0×10 <sup>-2</sup>	≤1.9×10 <sup>-2</sup>	≤7.5×10 <sup>-3</sup>	≤7.5×10 <sup>-3</sup>	
		micron	≤60	≤40	≤19	≤7.5	≤7.5	
		psi	≤1.2×10 <sup>-3</sup>	≤9.0×10 <sup>-4</sup>	≤3.8×10 <sup>-4</sup>	≤1.4×10 <sup>-4</sup>	≤1.4×10 <sup>-4</sup>	
Noise Level		dB(A)	≤52	≤57	≤60	≤61	≤63	
Leakage		mbar-l/s	1×10 <sup>-7</sup>					
Max. Inlet/Exhaust Pressure		MPa	0.1 / 0.13					
Ambient Operation Temp.		°F	41~104					
Motor 1 phase	Power	kW	0.25	0.25	0.55	0.75	--	
	Voltage	V	50~60Hz/110~115 or 200~230					--
	Speed	rpm	50Hz /1425; 60Hz /1725					--
	Connect		North America, Europe, UK/Ireland, India					--
Motor 3 phase	Power	kW	0.37	0.37	0.55	0.75	1.50	
	Voltage	V	50Hz/200~230 or 380~415; 60 Hz/200~230 or 460					
	Speed	rpm	50Hz /1425; 60Hz /1725					
Inlet/Exhaust Flange			KF25/16	KF25/16	KF25/16	KF40/16	KF40/16x2	
Dimensions	1 phase	mm	427x224x226	491x260x254	510x287x294	542x315x324	--	
	3 phase	mm	480x260x226	491x260x254	510x287x294	600x335x350	596x379x392	
Net Weight	1 phase	kg	15	18	27	31	--	
	3 phase	kg	16	20	31	38	52	
Cooling Type			Air cooled					
Others			With air flush					

### Safety Precautions

This scroll vacuum pump is suitable for clean processes only.

Do not pump toxic, explosive, flammable or corrosive substances or substances which contain chemicals, solvents or particles. MRC will not perform maintenance work on pumps which have used special gases or other hazardous substances.

Be sure the inlet gas temperature must be less than 122 °F.

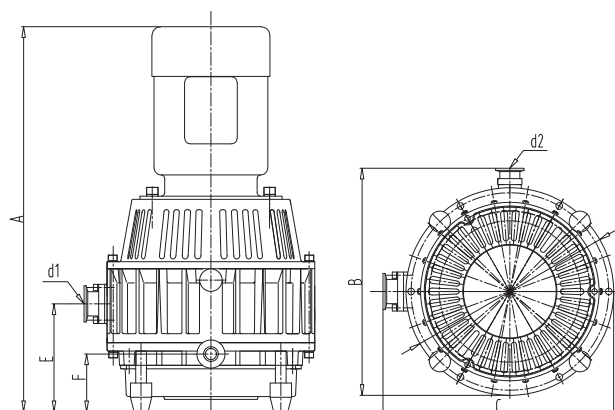
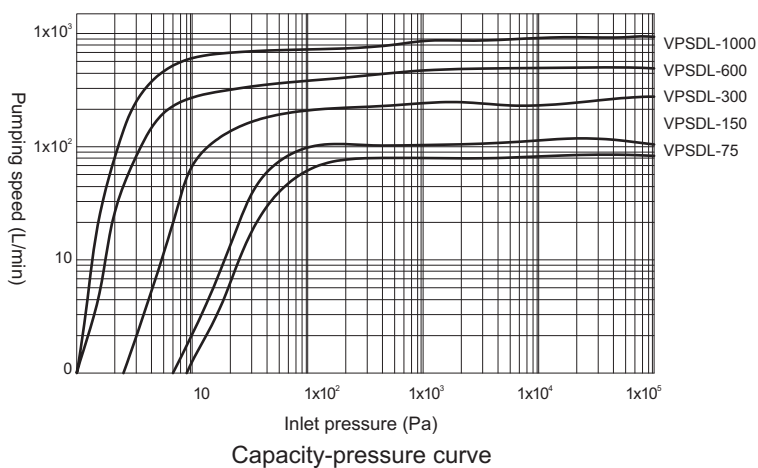
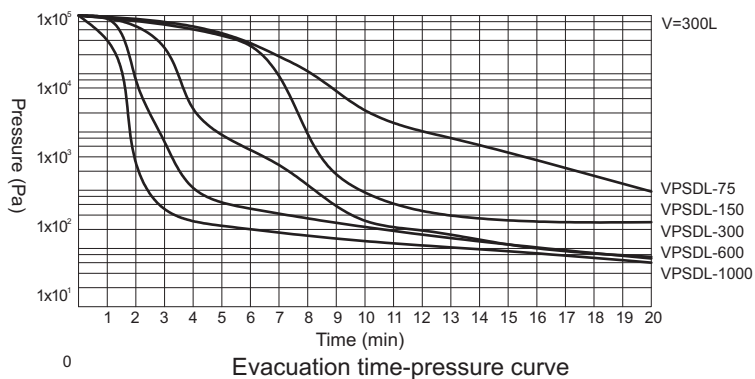
## Features & Benefits

- Wide product lineup
- Ease of maintenance
- Suitable for any type of power supply around the world
- No oil back-diffusion or exhaust
- Repeatedly operated between atmospheric and vacuum
- Low vibration, low noise and high efficiency

## Applications

- Freeze drying/gel dryer
- Distillation/purification/filtration
- Lithium ion battery process
- Hydrogen fuel cell process
- Capacitor exhaust
- Oil vapor recovering
- Cryopump regeneration
- LED/LCD/ Laser tube
- Vacuum oven
- E-beam/Laser melting
- Glove box
- Load lock/transfer chambers
- Special gas recovery/recirculation
- Space environment animation
- Surface analysis instruments
- Spectroscopy/scanning electron microscopy
- Accelerators/synchrotrons

## Performance Curves



## Dimensions

	A	B	C	D	E	F	d1	d2
VPSDL-75	427	224	226	200	112	74	KF25	KF16
VPSDL-150	480	260	250	220	122	76	KF25	KF16
VPSDL-300	510	287	294	262	131	80	KF25	KF16
VPSDL-600	542	315	324	291	152	81	KF40	KF16
VPSDL-1000	596	379	392	357	153	81/112	KF40	KF16X2